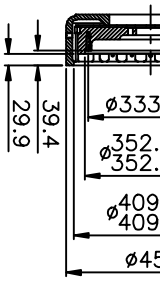
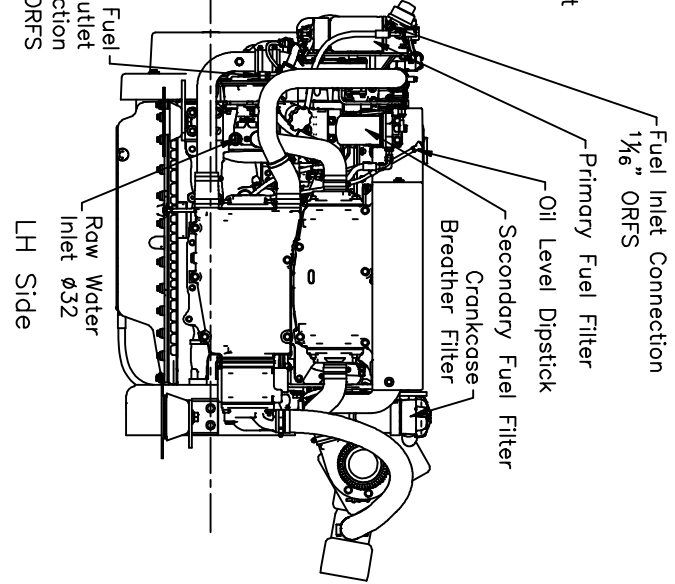
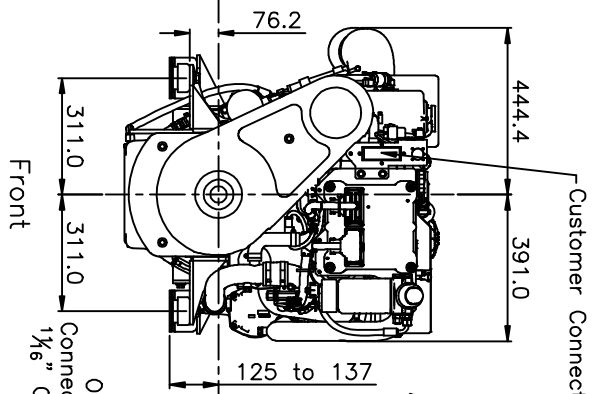
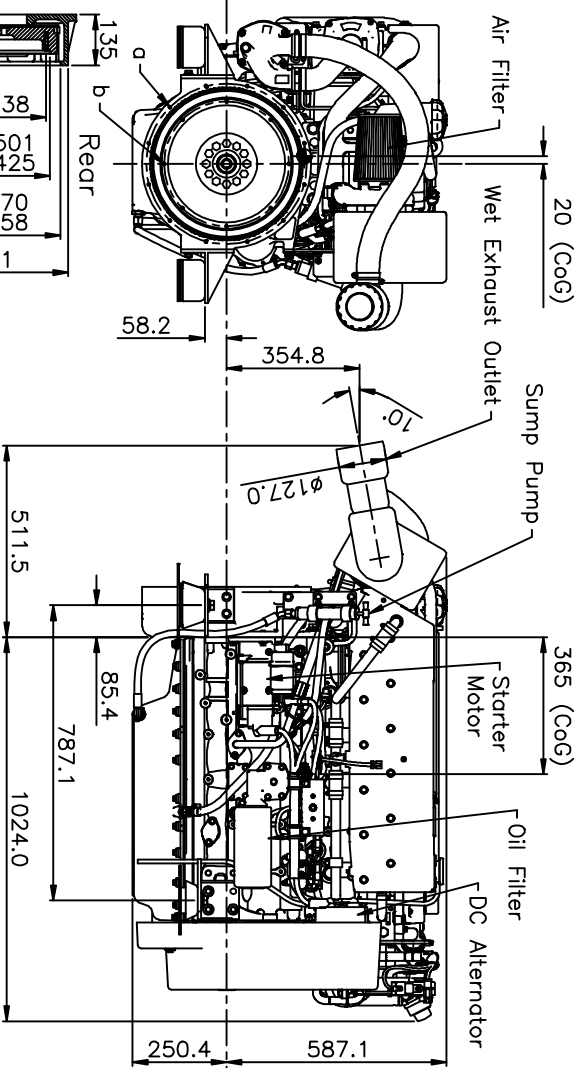
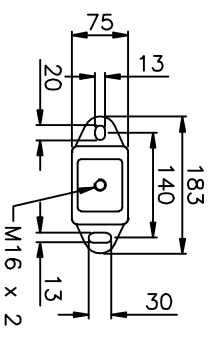
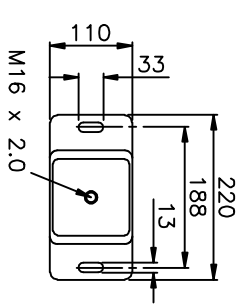
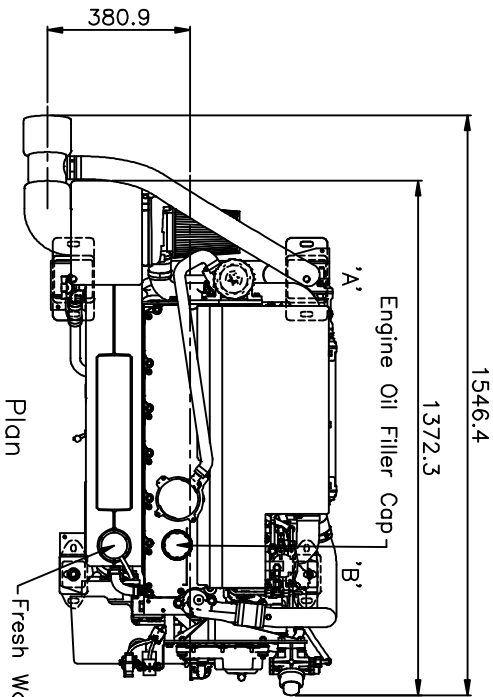


Perkins M216C & M190C Marine Diesel Engine
 Shown with SAE3 Flywheel Housing & Flywheel
 (622 mm transverse mounting centres)

WIMBORNE MARINE POWER CENTRE
 Wimborne, Dorset, England.
 Tel. +44(0)1202 893720
 Fax. +44(0)1202 851700
 E-mail. Wimborne_MPC_post@cat.com
www.Perkins-Sabre.com

Total Dry Weight: 702kg



Section through SAE3 housing and flywheel
 Hole Details:
 a) 12 holes, M10x1.5P x 25 deep
 equispaced on a 428.62 PCD.
 b) 8 holes, 3/8"-24 UNF x 38 deep
 equispaced on a 333.38 PCD.