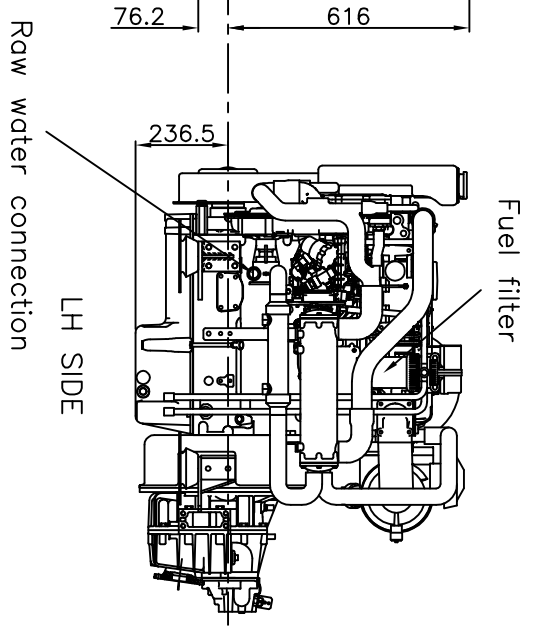
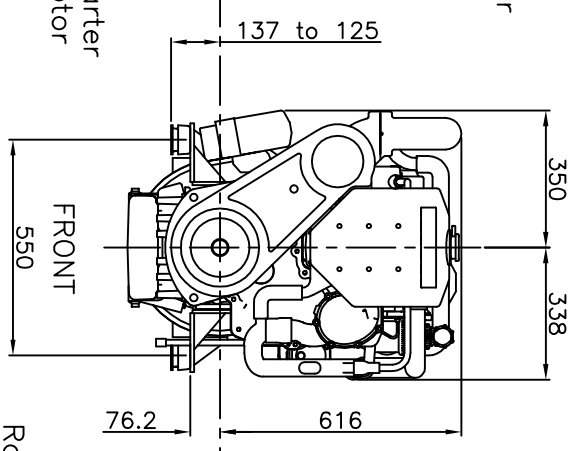
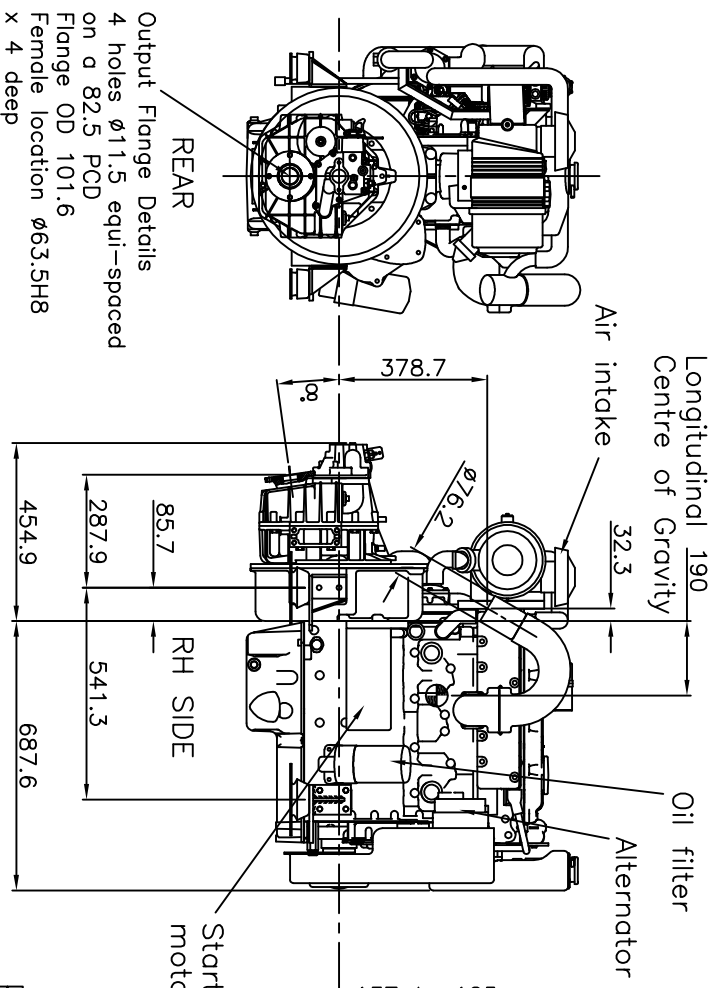
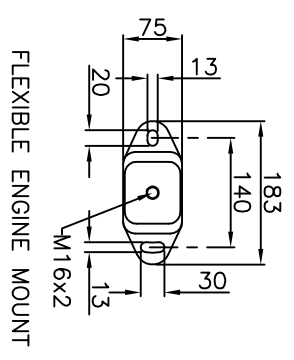
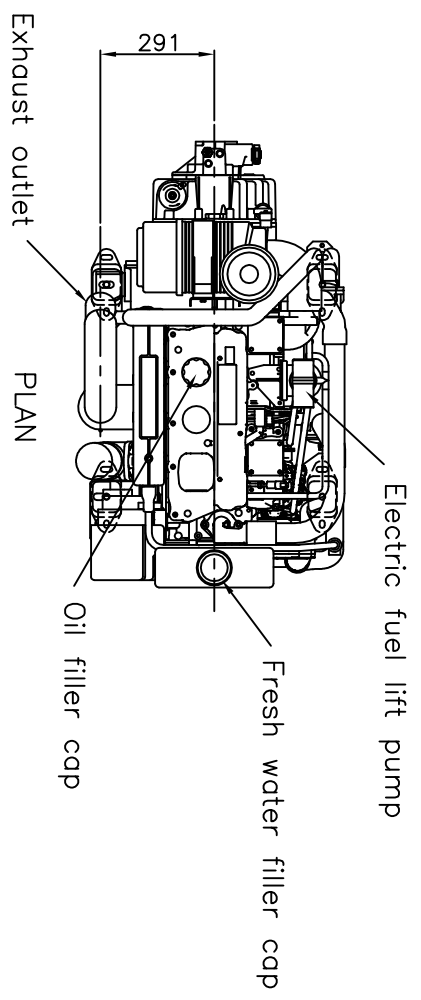


Perkins Sabre M92B Marine Diesel Engine
 shown with ZF 45A gearbox with reduction ratios
 up to and including 2.03:1 (550mm transverse mounting centres)

CATERPILLAR MARINE POWER UK LTD
 Wimborne, Dorset, England.
 Tel. +44(0)1202 893720
 Fax. +44(0)1202 851700
 E-mail. Wimborne_MPC_post@cat.com
 www.Perkins-Sabre.com



REAR

Output Flange Details
 4 holes $\phi 11.5$ equi-spaced
 on a 82.5 PCD
 Flange OD 101.6
 Female location $\phi 63.5$ H8
 x 4 deep

PROVISIONAL DRAWING

Rev 1 - C of G & widths added - 20.10.05 - GM

Doc No. 7352-2-05