



Cat[®] TH417C

Telehandler

Specifications

Engine

| | |
|----------------|-------------------------------|
| Model | Cat [®] C4.4 DITAAC* |
| Gross Power | 74.5 kW/101 hp |
| Maximum Torque | 410 N·m/1,400 rpm |
| Bore | 105 mm |
| Stroke | 127 mm |
| Displacement | 4.4 L |

*Meets EEC Stage IIIA and EPA Tier 3 Emission Standards.

Weights

| | |
|--|-----------|
| Operating Weight with Carriage & Forks | 12 470 kg |
|--|-----------|

Operating Specifications

| | |
|-----------------------------------|-----------|
| Rated Load Capacity | 4000 kg |
| Maximum Lift Height | |
| Stabilizers Up | 15 290 mm |
| Stabilizers Down | 17 300 mm |
| Maximum Forward Reach | 12 700 mm |
| Top Travel Speed | 32 km/h |
| Load at Max Height | |
| Stabilizers Up | 1000 kg |
| Stabilizers Down | 3000 kg |
| Load at Max Reach | |
| Stabilizers Up | 0 kg |
| Stabilizers Down | 500 kg |
| Outside Turning Radius Over Tires | 3920 mm |

Service Refill Capacities

| | |
|----------------|-------|
| Fuel Tank | 150 L |
| Hydraulic Tank | 90 L |

Tires

| | |
|----------|--------------------|
| Standard | 14.00-24 16PR TG02 |
|----------|--------------------|

Brakes

| | |
|----------------|------------------------------|
| Service Brakes | Servo Assisted on Front Axle |
| Parking Brakes | Mechanical on Front Axle |

Hydraulic System

| | |
|----------------------------|--|
| Maximum System Pressure | 250 bar |
| Maximum Pump Flow | 150 L/min |
| Pump Type | Variable Displacement Load Sensing Axial Piston Pump |
| Auxiliary Hydraulic Supply | |
| Intermittent | 80 L/min |
| Continuous | 60 L/min |

Transmission Speeds

| | |
|---------|-----------|
| Forward | |
| 1 | 5.2 km/h |
| 2 | 10.2 km/h |
| 3 | 23.3 km/h |
| 4 | 32 km/h |
| Reverse | |
| 1 | 5.2 km/h |
| 2 | 10.2 km/h |
| 3 | 23.3 km/h |

Boom Performance

| | |
|-----------------------------------|--------------|
| Boom Up | 14.1 Seconds |
| Boom Down | 11.2 Seconds |
| Tele In | 22.8 Seconds |
| Tele Out | 25.2 Seconds |
| Crowd Forward (dump) | 3.1 Seconds |
| Crowd Backward | 3.5 Seconds |
| Combined | |
| Up and Out | 30.0 Seconds |
| Down and In | 23.0 Seconds |
| Drawbar Pull 74.5 kW | 96.4 kN |
| Bucket Breakout Force to ISO 8313 | 65 kN |
| Boom Breakout Force | 60 kN |

Sound

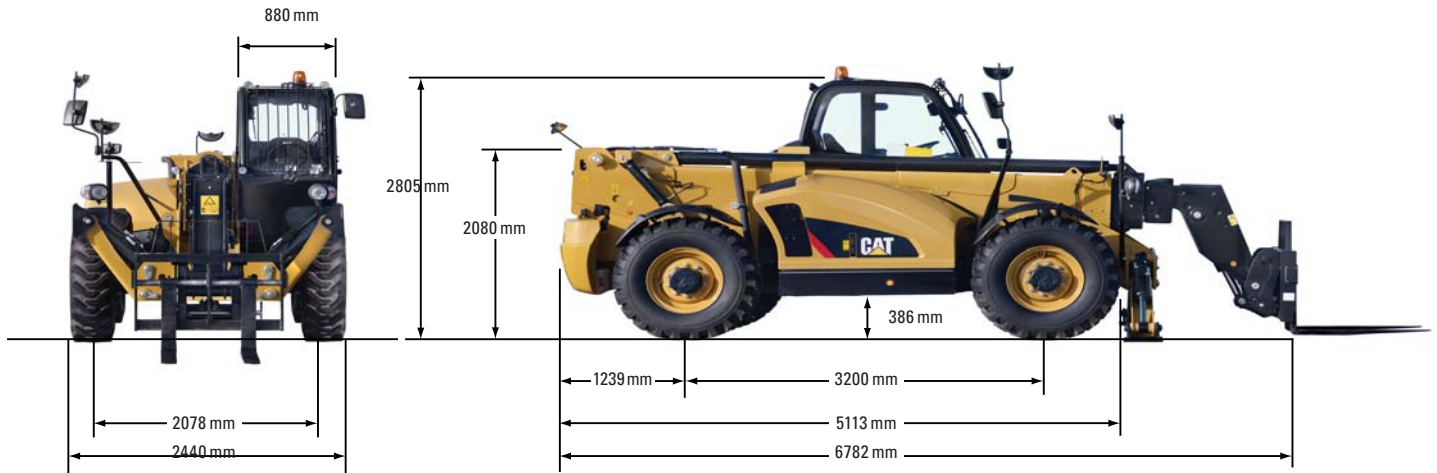
| | |
|---------------------------------|-----------|
| Operator Sound | 76 dB(A) |
| Exterior Sound (74.5 kW Engine) | 106 dB(A) |



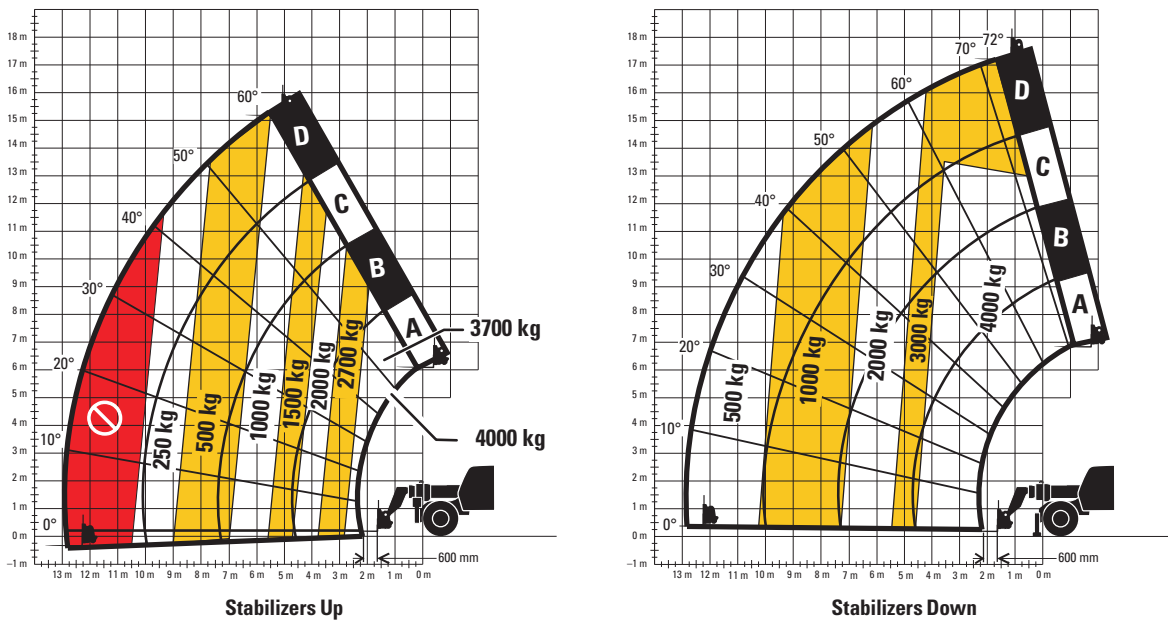
TH417C Telehandler

Dimensions

All dimensions are approximate.



Load Chart and Dimensions



IMPORTANT

Rated lift capacities shown are with machine equipped with carriage and pallet forks. The machine must be level on a firm surface with undamaged, properly inflated tires. Machine specifications and stability are based on rated lift capacities at specific boom angles and boom lengths. (If specifications are critical, the proposed application should be discussed with your dealer.)

DO NOT exceed rated lift capacity loads, as unstable and dangerous machine conditions will result.

DO NOT tip the machine forward to determine the allowable load.

Due to continuous product improvements, machine specifications and/or equipment changes may be made without prior notification.

This machine meets or exceeds AS1418.19-2007 as originally manufactured for intended applications.

For more complete information on Cat products, dealer services, and industry solutions, visit us on the web at www.cat.com

AEHQ7172 (11-2013)

© 2013 Caterpillar
All rights reserved.

CAT, CATERPILLAR, their respective logos, "Caterpillar Yellow" and the "Power Edge" trade dress, as well as corporate and product identity used herein, are trademarks of Caterpillar and may not be used without permission.

