

277C

Multi Terrain Loader

Joint Services



Cat® C3.4 DIT Engine

Gross Power – SAE J1995	63 kW	84 hp
Net Power – SAE J1349	61 kW	82 hp

Weight

Rated Operating Capacity	1451 kg	3,200 lb
Operating Weight (without Armor)	4196 kg	9,250 lb
Operating Weight (with Armor)	4692 kg	10,345 lb

MISSION CAPABLE

The Cat® 277C – Tested, Proven, and Reliable – Mission Capable

The Cat 277C Multi Terrain Loader is a highly productive machine. The machine is equipped with an 82 hp turbocharged engine for maximum performance. It is capable of lifting and carrying loads of up to 3,200 lb.

The armored crew protection kit (CPK) on the 277C was designed with the Troop's protection and survivability in mind. The armored cab provides the operator with 360° protection, including the roof and the floor, from small arms and fragmentation threats. The transparent armor provides excellent operator visibility of the machine and surrounding area. This feature allows the soldier to complete military tasks safely and effectively.

The 277C is an extremely versatile machine, offering a number of work tool attachments to ensure the right tool for the job.

ATTACHMENTS

Each of these attachments increases the capability and versatility of the 277C, while adding tremendous efficiency benefits.

DoD Procured:

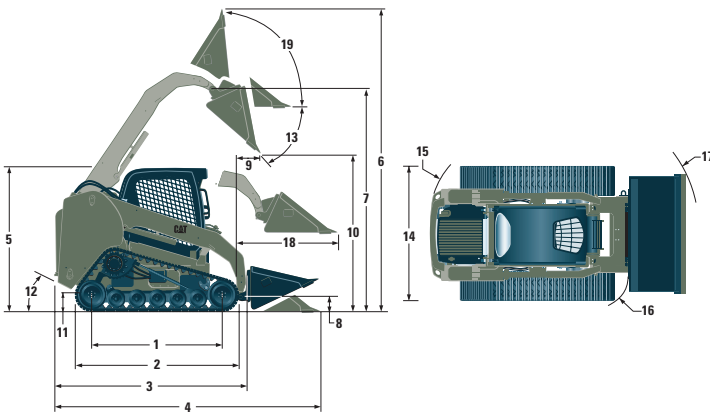
- Auger
- Broom (angle)
- Buckets
 - multi purpose
 - grapple
- Dozer Blades
- Pallet Forks
- Hammers
- Trencher
- Vibratory Compactor

Optional:

- Backhoe
- Brushcutter
- Cold Planer
- Landscape Rake
- Landscape Tiller
- Material Handling Arm
- Mulcher
- Power Box Rake
- Snowblower
- Stump Grinder
- Wheel Saw



Standard Equipment may vary. Consult Caterpillar Defense & Federal Products for details.



Dimensions

1	Length of Track on Ground	1808 mm	71.2 in
2	Overall Length of Track	2286 mm	90.0 in
3	Length w/o Bucket	2974 mm	117.2 in
4	Length w/Bucket on Ground	3692 mm	145.4 in
5	Height to Top of Cab	2115 mm	83.2 in
6	Max. Overall Height	3998 mm	157.4 in
7	Bucket Pin Height at Max. Lift	3122 mm	122.9 in
8	Bucket Pin Height at Carry Position	200 mm	7.9 in
9	Reach at Max. Lift and Dump	618 mm	24.3 in
10	Clearance at Max. Lift and Dump	2425 mm	95.5 in
11	Ground Clearance	225 mm	8.8 in
12	Departure Angle	42°	
13	Maximum Dump Angle	40°	
14	Vehicle Width	1981 mm	78.0 in
15	Turning Radius from Center – Machine Rear	1627 mm	64.0 in
16	Turning Radius from Center – Coupler	1487 mm	58.5 in
17	Turning Radius from Center – Bucket	2330 mm	91.7 in
18	Max. Reach w/Arms Parallel to Ground	1406 mm	55.4 in
19	Rack Back Angle at Max. Height	85°	

Standard Equipment

Hydraulic, Standard XPS
Quick Coupler, Hydraulic

ELECTRICAL

- 12 volt Electrical System
- 90 ampere Alternator
- Ignition Key Start/Stop Switch
- Lights: Gauge Backlighting, Two Rear Tail Lights, Two Rear Working Lights, Two Adjustable Front Halogen Lights, Dome Light
- Backup Alarm
- Heavy Duty Battery, 850 CCA

OPERATOR ENVIRONMENT

- Seat Belt, 75 mm (3 in)
- Suspension Seat
- Enclosed ROPS with A/C (C3): C2 + Air Conditioner
- Gauges: Fuel Level, Hour Meter
- Operator Warning System Indicators: Air Filter Restriction, Alternator Output, Armrest Raised/Operator Out of Seat, Engine Coolant Temperature, Engine Oil Pressure, Glow Plug Activation, Hydraulic Filter Restriction, Hydraulic Oil Temperature, Park Brake Engages
- Vinyl Seat
- Fold in Ergonomic Contoured Armrest
- Control Interlock System, when operator leaves seat or armrest raised: Hydraulic System Disables, Hydrostatic Transmission Disables, Parking Brake Engages
- ROPS Cab, Open, Tilt Up
- FOPS, Level I
- Top and Rear Windows
- Headliner, Deluxe
- Floor Mat
- Interior Rear View Mirror
- 12 volt Electric Socket
- Horn

POWER TRAIN

- Cat® C3.4 DIT Tier 3 Compliant Diesel Engine
- Air Cleaner, Dual Element, Radial Seal
- S-O-SSM Sampling Valves, Engine Oil and Hydraulic Oil
- Filters, Spin-on, Hydraulic
- Filters, Bayonet-type, Fuel and Water Separator
- Tilt Up Radiator/Hydraulic Oil Cooler
- Spring Applied, Hydraulically Released, Wet Multi Disc Parking Brakes
- Hydrostatic Transmission

OTHER

- Dual Level Suspension Undercarriage, One Speed, Self Level
- Engine Enclosure, Lockable
- Extended Life Antifreeze, -37° C (-34° F)
- Machine Tie Down Points (4)
- Support, Lift Arm
- Hydraulic Oil Level Sight Gauge
- Radiator Coolant Level Sight Gauge
- Radiator, Expansion Bottle
- Cat ToughGuard™ Hose
- Auxiliary, Hydraulics, Continuous Flow
- Heavy Duty, Flat Faced Quick Disconnects
- Split D-Ring to Route Work Tool Hoses Along Side of Left Lift Arm
- Electrical Outlet, Beacon
- Belly Pan Cleanout
- Engine Block Heater – 120V
- Paint, Custom

SERVICEABILITY

Remanufactured Parts. Cat® engines and major components are designed to be remanufactured and provide multiple life cycles. The Cat® Reman program is more extensive than most rebuild programs. Components are actually remanufactured in the factory to original specifications with necessary product updates.

Service Life Extension Program (SLEP). The Service Life Extension Program (SLEP) is based on a highly successful program currently in place with the DoD for the modernization of the U.S. military's construction and material handling equipment. As a result, thousands of Cat® machines are now realizing a second life. The SLEP process is performed at strategically selected dealers throughout the Caterpillar worldwide dealer network.

The SLEP efforts have proven to be a great value for the DoD, allowing the machines to meet mission requirements and realize an additional machine life cycle. The fact that this work can be done at the dealer sites saves the Government millions in shipping costs.

Worldwide Locations. The Caterpillar global network of authorized dealers supports the U.S. Military in every corner of the globe. With heavy construction equipment dealers located in over 200 countries, Caterpillar's support organization provides global coverage.

Service Capabilities. Cat field service technicians have the experience and tools necessary to service your MTL on-site. Field service trucks are fully loaded with state-of-the-art tools and diagnostic equipment as well as specifications and schematics for every Cat machine. Technical experts at the dealership and at Caterpillar are available to provide assistance to field service technicians when needed. When on-site repair isn't enough, Cat® dealerships are fully-equipped to service your loader quickly.

Dealer Support. The Caterpillar global network of authorized dealers is the best in the world at providing support to keep your equipment up and running. With 99.7% of parts shipped within 24 hrs, Cat dealers are partners in support for the 277C Multi Terrain Loader.

For more information visit: www.catdfp.com

Maintenance. Proper maintenance of your MTL can help control expenses and lower your owning and operating costs. The 277C provides unmatched serviceability by offering:

- Hydraulic service center
- Electric service center
- Well-protected, easily visible sight gauges
- Ground level maintenance points
- Easy access to engine compartment
- Ecology drains for simple and clean fluid drainage
- Brake wear indicators for ease of inspection
- Maintenance-free batteries
- Airborne debris-resistant, swing-out grill provides more efficient airflow
- Compartment test ports

MILITARY MODIFICATIONS

- MIL-STD-209K Lift and Tiedown Provisions
- Rifle Bracket
- Keyless Engine Start Switch
- Armored Cab
- Military Data Plates
- Fire Extinguisher

All dimensions are approximate. Dimensions may vary with configuration. Specific military service configurations are available upon request.

© 2009 Caterpillar | All Rights Reserved | Printed in the USA

Materials and specifications are subject to change without notice. Featured machines may include additional equipment. See your account manager for available options.

CAT, CATERPILLAR, their respective logos, "Caterpillar Yellow" and the POWER EDGE trade dress, as well as corporate and product identity used herein, are trademarks of Caterpillar and may not be used without permission.

