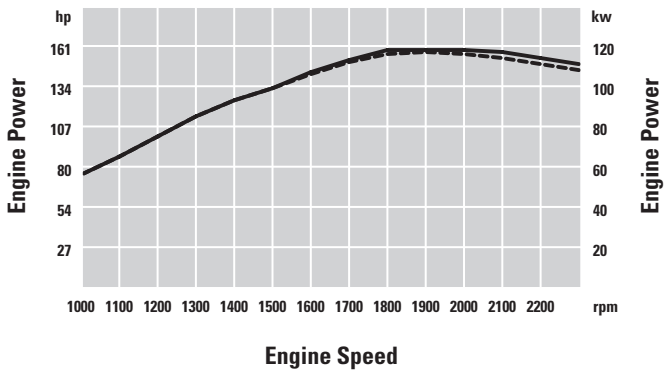
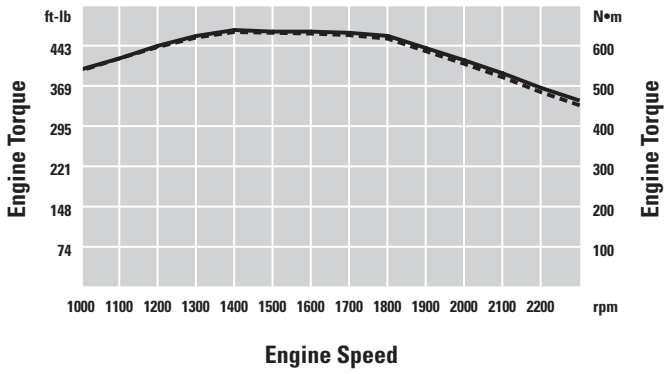


928Gz Wheel Loader

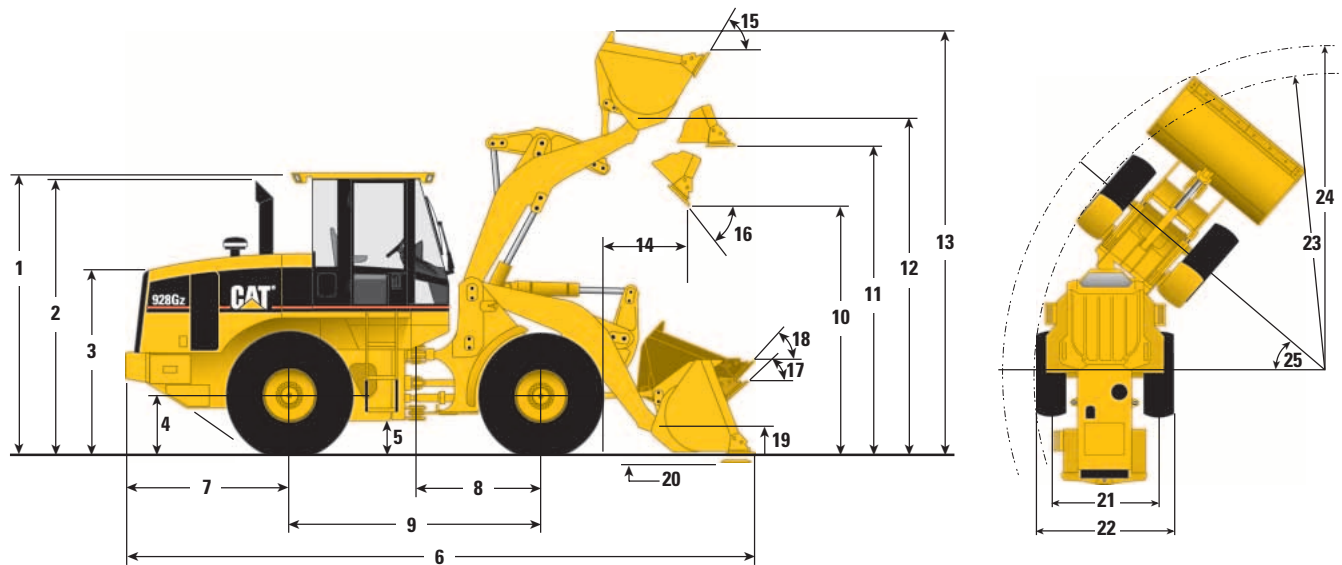
--- Net
— Gross



928Gz Wheel Loader

Dimensions

All dimensions are approximate. Dimensions vary with bucket. Refer to Operating Specifications.



1	Height to top of ROPS/FOPS	3269 mm	(10 ft 9 in)
2	Height to top of exhaust stack	3189 mm	(10 ft 6 in)
3	Height to top of hood	2197 mm	(7 ft 2 in)
4	Height to center of axle	685 mm	(2 ft 3 in)
5	Ground clearance	408 mm	(1 ft 4 in)
6	Overall length	7252 mm	(23 ft 10 in)
7	Length – rear axle to bumper	1920 mm	(6 ft 4 in)
8	Center line of front axle to hitch	1450 mm	(4 ft 9 in)
9	Wheel base length	2900 mm	(9 ft 6 in)
10	Dump clearance at maximum lift and 45° dump	2879 mm	(9 ft 5 in)
11	Bucket clearance at maximum lift and level	3752 mm	(12 ft 4 in)
12	Bucket pin height at maximum lift	3872 mm	(12 ft 8 in)
13	Overall height – bucket raised	4971 mm	(16 ft 4 in)
14	Reach at maximum lift and 45° dump	927 mm	(3 ft 0 in)
15	Rack back angle at maximum lift	60°	
16	Dump angle at maximum lift	45°	
17	Rack back angle at ground	44°	
18	Rack back angle at carry	47.8°	
19	Carry height	449 mm	(1 ft 6 in)
20	Digging depth	86 mm	(3.4 in)

Dimensions listed are for 928Gz with optional counterweights, standard lubricants, full fuel tank, cab with A/C, sliding glass, Cat contour seat, limited slip axles with dual disc rear, 4L4V hydraulics, heavy duty cooler, supplemental steering, roading fenders, reversing fan, back-up alarm, guards, ride control, radio, 1.8 m³ (2.3 yd³) bucket with bolt-on cutting edge, 80 kg (176 lb) operator and 20.5 R25 radial (L-3) XHA tires. Refer to Operating Specifications for bucket variations.

	17.5-25 12PR (L-2) Tires		20.5 R25 (L-3) Tires		600/65 R25 (L-3) Tires	
21	Width at tread center	1950 mm (6 ft 5 in)	1950 mm (6 ft 5 in)	1950 mm (6 ft 5 in)	1950 mm (6 ft 5 in)	1950 mm (6 ft 5 in)
22	Overall width over tires	2407 mm (7 ft 11 in)	2504 mm (8 ft 3 in)	2544 mm (8 ft 4 in)	2544 mm (8 ft 4 in)	2544 mm (8 ft 4 in)
23	Minimum turning radius over tires	5186 mm (17 ft 0 in)	5236 mm (17 ft 2 in)	5256 mm (17 ft 3 in)	5256 mm (17 ft 3 in)	5256 mm (17 ft 3 in)
24	Minimum turning radius over bucket	–	5781 mm (19 ft 0 in)	–	–	–
25	Steering angle – left/right	40°	40°	40°	40°	40°
	Change in vertical dimension	–65 mm (–2.7 in)	no change	no change	–11 mm (–4.3 in)	–11 mm (–4.3 in)

928Gz Wheel Loader

Operating Specifications

Pin-on Buckets



		General Purpose Buckets					
		With Bolt-On Cutting Edge		With Bolt-On Teeth & Segments*		With Bolt-On Teeth*	
Rated bucket capacity (§)	m ³	2.0	2.3	2.0	2.3	1.9	2.2
	yd ³	2.6	3.0	2.6	3.0	2.5	2.9
Struck capacity (§)	m ³	1.7	1.9	1.7	1.9	1.6	1.8
	yd ³	2.2	2.5	2.2	2.5	2.1	2.4
Bucket width	mm	2549	2549	2549	2549	2549	2549
	ft/in	8'4"	8'4"	8'4"	8'4"	8'4"	8'4"
10 Dump clearance at full lift and 45° discharge (§)	mm	2879	2842	2766	2730	2766	2729
	ft/in	9'5"	9'4"	9'1"	8'11"	9'1"	8'11"
14 Reach at full lift and 45° discharge (§)	mm	927	964	1021	1058	1021	1058
	ft/in	3'0"	3'2"	3'4"	3'6"	3'4"	3'6"
Reach at 45° discharge and 2130 mm (7'0") clearance (§)	mm	1455	1474	1492	1509	1492	1509
	ft/in	4'9"	4'10"	4'11"	4'11"	4'11"	4'11"
Reach with lift arms horizontal and bucket level	mm	2253	2305	2399	2451	2399	2451
	ft/in	7'5"	7'7"	7'10"	8'0"	7'10"	8'0"
20 Digging depth (§)	mm	86	86	99	99	99	99
	in	3.4"	3.4"	3.9"	3.9"	3.9"	3.9"
6 Overall length	mm	7252	7304	7398	7450	7378	7430
	ft/in	23'10"	24'0"	24'3"	24'5"	24'2"	24'5"
13 Overall height with bucket at full raise (§)	mm	4971	5070	4971	5070	4971	5070
	ft/in	16'3"	16'8"	16'4"	16'8"	16'4"	16'8"
24 Loader clearance radius with bucket in carry position	mm	5781	5796	5845	5860	5845	5860
	ft/in	19'0"	19'0"	19'2"	19'3"	19'2"	19'3"
Static tipping load straight (§)	kg	9859	9702	9690	9537	9778	9711
	lb	21,735	21,389	21,362	21,025	21,556	21,409
Static tipping load full 40° turn (§)	kg	8587	8444	8417	8276	8508	8444
	lb	18,931	18,615	18,556	18,245	18,757	18,615
Breakout force (§)	kg	11 723	11 095	11 590	10 961	12 604	11 880
	lb	25,844	24,460	25,551	24,164	27,787	26,191
Operating weight	kg	12 308	12 358	12 442	12 492	12 357	12 407
	lb	27,135	27,245	27,431	27,541	27,243	27,353

Specifications shown are for 928Gz with optional counterweight, standard lubricants, full fuel tank, Cab with A/C, sliding glass, Cat Contour Seat, Limited Slip axles with dual disc rear, 4L 4V hydraulics, heavy duty cooler, supplemental steering, roading fenders, reversing fan, back-up alarm, guards, ride control, radio, 2.0 m³ (2.6 yd³) bucket with bolt-on cutting edge, 80 kg (176 lb) operator and 20.5 R25 radial (L-3) XHA tires.

- * Dimensions are measured to the tip of the bucket teeth to provide accurate clearance data. SAE standards specifies the cutting edge.
 (§) Specifications and ratings conform to all applicable standards recommended by the Society of Automotive Engineers (SAE), including SAE Standards J732 JUN92 and J742 FEB85 governing loader ratings.

For operating specifications for hook-on buckets, please contact the factory.

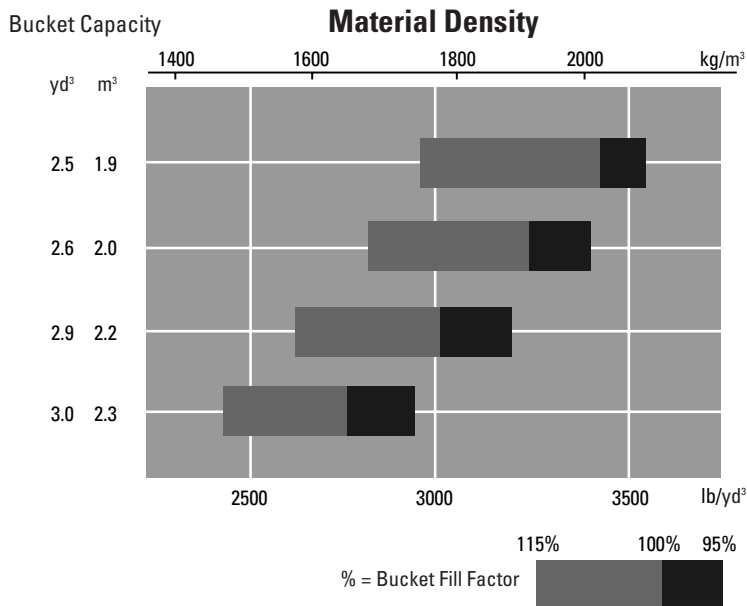
928Gz Wheel Loader

Typical Material Densities – Loose

	kg/m ³	lb/yd ³
Basalt	1960	3305
Bauxite, Kaolin	1420	2394
Clay		
natural bed	1660	2799
dry	1480	2495
wet	1660	2799
Clay and gravel		
dry	1420	2394
wet	1540	2596
Decomposed rock		
75% rock, 25% earth	1960	3305
50% rock, 50% earth	1720	2900
25% rock, 75% earth	1570	2647
Earth		
dry, packed	1510	2546
wet, excavated	1600	2698
Granite		
broken	1660	2799
Gravel		
pitrun	1930	3254
dry	1510	2546
dry, 6-50 mm (0.2-2")	1690	2849
wet, 6-50 mm (0.2-2")	2020	3406

	kg/m ³	lb/yd ³
Gypsum		
broken	1810	3052
crushed	1600	2698
Limestone		
broken	1540	2596
crushed	1540	2596
Sand		
dry, loose	1420	2394
damp	1690	2849
wet	1840	3102
Sand and clay		
loose	1600	2698
Sand and gravel		
dry	1720	2900
wet	2020	3416
Sandstone	1510	2546
Shale	1250	2107
Slag		
broken	1750	2950
Stone		
crushed	1600	2698

Bucket Size Selector



928Gz Wheel Loader

Supplemental Specifications

	Change in Operating Weight		Change in Articulated Static Tipping Load with Hook-On Bucket 2.1 m ³ (2.75 yd ³)	
	kg	lb	kg	lb
W/O Air conditioner	-48	-106	-44	-97
Canopy, ROPS (less cab)	-198	-437	-181	-399
W/O Optional counterweight, 175 kg/385 lb	-290	-639	-483	-1065
W/O Guard, crankcase	-17	-37	-22	-49
W/O Guard, power train	-58	-128	-56	-123
W/O Ride Control System	-41	-90	-28	-62
W/O Secondary steering	-42	-93	-52	-115
Tires, 1-piece rims				
17.5-25, 12PR (L-2)	-661	-1457	-410	-904
17.5-25, 12PR (L-3)	-582	-1283	-361	-796
17.5-25, radial (L-2/L-3)	-519	-1144	-322	-710
17.5-25, radial (L-2)	-614	-1354	-381	-840
17.5-25, radial (L-3)	-458	-1010	-284	-626
Tires, 3-piece rims				
17.5-25, 12PR (L-2)	-529	-1166	-328	-723
17.5-25, 12PR (L-3)	-457	-1008	-283	-624
17.5-25, radial (L-2/L-3)	-413	-911	-256	-564
17.5-R25, radial (L-2)	-489	-1078	-303	-668
17.5-R25, radial (L-3)	-389	-858	-241	-531
20.5-25, 12PR (L-2)	-240	-529	-149	-328
20.5-25, 12PR (L-3)	-96	-212	-60	-132
20.5-25, radial (L-2/L-3)	-52	-115	-33	-73
20.5 R25, radial (L-2)	-172	-379	-107	-236
20.5 R25, radial (L-3)	0	0	0	0
600/65 R25, radial (L-3) Michelin	+4	+9	+2	+4
600/65 R25, radial (L-3) Goodyear	+216	+476	+134	+295