

446D Backhoe Loader

Machine Dimensions

	Single-Tilt Loader		
	General Purpose (1.15 m ³ /1.5 yd ³)	General Purpose (1.34 m ³ /1.75 yd ³)	Multi Purpose (1.25 m ³ /1.63 yd ³)
(1) Overall transport length	7952 mm/26 ft 1 in	7990 mm/26 ft 3 in	7948 mm/26 ft 1 in
Overall length (loader on ground)	7895 mm/25 ft 11 in	7955 mm/26 ft 1 in	7878 mm/25 ft 10 in
(2) Overall transport height (standard stick)	4182 mm/13 ft 9 in	4182 mm/13 ft 9 in	4182 mm/13 ft 9 in
Overall transport height (extendible stick)	4182 mm/13 ft 9 in	4182 mm/13 ft 9 in	4182 mm/13 ft 9 in
Overall width	2477 mm/8 ft 2 in	2477 mm/8 ft 2 in	2477 mm/8 ft 2 in
(3) Height to top of cab/canopy	2899 mm/9 ft 6 in	2899 mm/9 ft 6 in	2899 mm/9 ft 6 in
(4) Height to top of exhaust stack	2960 mm/9 ft 9 in	2960 mm/9 ft 9 in	2960 mm/9 ft 9 in
Height to loader hinge pin (transport)	578 mm/23 in	578 mm/23 in	578 mm/23 in
Ground clearance (minimum)	332 mm/1 ft 1 in	332 mm/1 ft 1 in	332 mm/1 ft 1 in
(5) Rear axle centerline to front grill	2752 mm/9 ft	2752 mm/9 ft	2752 mm/9 ft
Front wheel tread gauge	1970 mm/6 ft 6 in	1970 mm/6 ft 6 in	1970 mm/6 ft 6 in
Rear wheel tread gauge	1800 mm/5 ft 11 in	1800 mm/5 ft 11 in	1800 mm/5 ft 11 in
(6) Wheelbase 2WD/AWD	2233 mm/7 ft 4 in	2233 mm/7 ft 4 in	2233 mm/7 ft 4 in

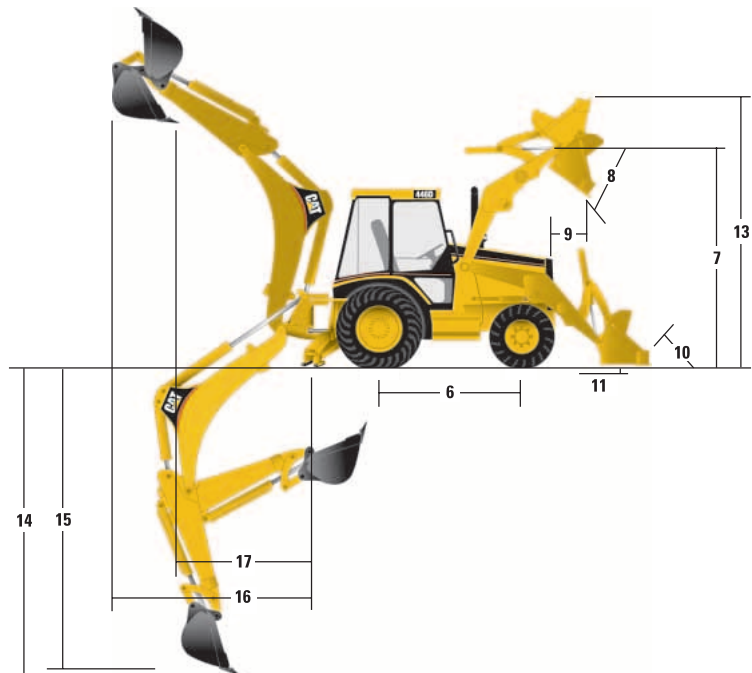
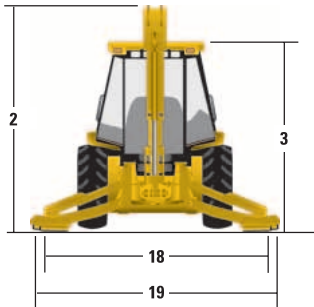
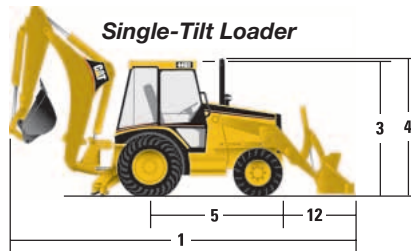
Loader Bucket Dimensions and Performance

	Single-Tilt Loader		
	General Purpose (1.15 m ³ /1.5 yd ³)	General Purpose (1.34 m ³ /1.75 yd ³)	Multi Purpose With Cutting Edge
Capacity (SAE) rated	1.1 m ³ /1.5 yd ³	1.3 m ³ /1.75 yd ³	1.2 m ³ /1.63 yd ³
Width	2434 mm/8 ft	2434 mm/8 ft	2534 mm/8 ft 4 in
Lift capacity	4351 kg/9592 lb	4217 kg/9296 lb	4039 kg/8905 lb
Breakout	61.7 kN/13,868 lb	56.7 kN/12,744 lb	62.8 kN/14,105 lb
(7) Maximum hinge pin height	3479 mm/11 ft 5 in	3479 mm/11 ft 5 in	3479 mm/11 ft 5 in
(8) Dump angle at full height	45°	45°	45°
Dump height at maximum angle	2720 mm/8 ft 11 in	2678 mm/8 ft 11 in	2727 mm/8 ft 11 in
(9) Dump reach at full height	855 mm/34 in	897 mm/35 in	820 mm/32 in
(10) Maximum bucket rollback at ground level	41°	41°	41°
(11) Digging depth	153 mm/6 in	153 mm/6 in	172 mm/7 in
Maximum grading angle	104°	104°	101°
Width of dozer cutting edge	N/A	N/A	2441 mm/8 ft
(12) Grill to bucket cutting edge, carry position	1684 mm/6 ft 6 in	1723 mm/6 ft 8 in	1680 mm/6 ft 6 in
(13) Maximum operating height	4405 mm/14 ft 5 in	4502 mm/14 ft 9 in	4406 mm/14 ft 5 in
Jaw opening maximum	N/A	N/A	1055 mm/3 ft 5 in
Weight	533 kg/1176 lb	579 kg/1278 lb	907 kg/2000 lb

446D Backhoe Loader

Backhoe Dimensions and Performance

	Standard Stick	Extendible Stick Retracted	Extendible Stick Extended
(14) Digging depth SAE (max)	5142 mm/16 ft 10 in	5207 mm/17 ft 1 in	6457 mm/21 ft 2 in
(15) Digging depth (2 ft) flat bottom	5097 mm/16 ft 8 in	5175 mm/17 ft	6424 mm/21 ft 1 in
Reach from rear axle centerline at ground line	7867 mm/25 ft 10 in	7930 mm/26 ft	9121 mm/29 ft 11 in
(16) Reach from swing pivot at ground line	6636 mm/21 ft 9 in	6697 mm/22 ft	7890 mm/25 ft 11 in
Maximum operating height	6524 mm/21 ft 5 in	6653 mm/21 ft 10 in	7536 mm/24 ft 9 in
Loading height	4392 mm/14 ft 5 in	4395 mm/14 ft 5 in	5068 mm/16 ft 7 in
(17) Loading reach	2092 mm/6 ft 10 in	2004 mm/6 ft 7 in	3187 mm/10 ft 5 in
Swing arc	180°	180°	180°
Bucket rotation	190°	187°	187°
(18) Stabilizer spread, operating position (center of pad)	3614 mm/11 ft 10 in	3614 mm/11 ft 10 in	3614 mm/11 ft 10 in
(19) Stabilizer spread, operating position (outside edge of pad)	4084 mm/13 ft 5 in	4084 mm/13 ft 5 in	4084 mm/13 ft 5 in
Stabilizer spread, transport position	2477 mm/8 ft 2 in	2477 mm/8 ft 2 in	2477 mm/8 ft 2 in
Bucket dig force	75.4 kN/16,950 lb	72.95 kN/16,400 lb	72.95 kN/16,400 lb
Stick dig force	50.8 kN/11,430 lb	50.08 kN/11,260 lb	36.8 kN/8275 lb
Leveling angle (maximum slope on which machine will make a vertical cut)	13°	13°	13°



Dimensions and performance specifications shown are for machines equipped with 14.5/75-16.1 (10 PR) front tires, 21L-24 (12 PR) rear tires, ROPS canopy, standard stick with 24-inch heavy-duty bucket, and 1.5 yd³ loader bucket and standard equipment unless otherwise specified.

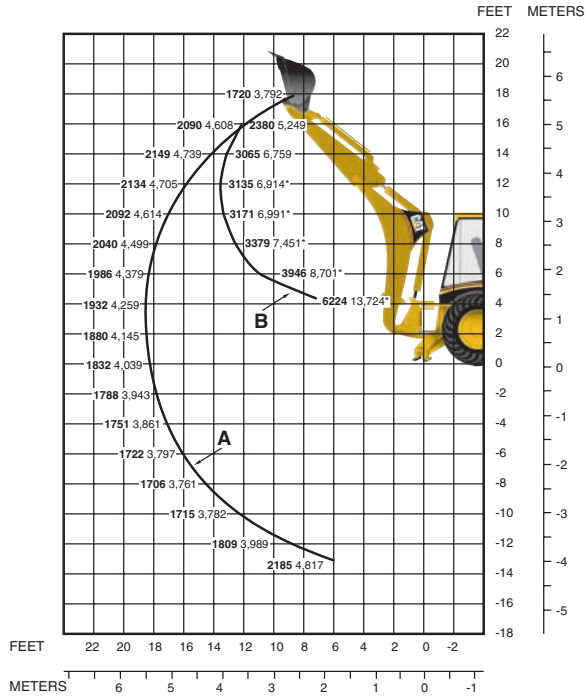
446D Backhoe Loader

Backhoe Lift Capacity

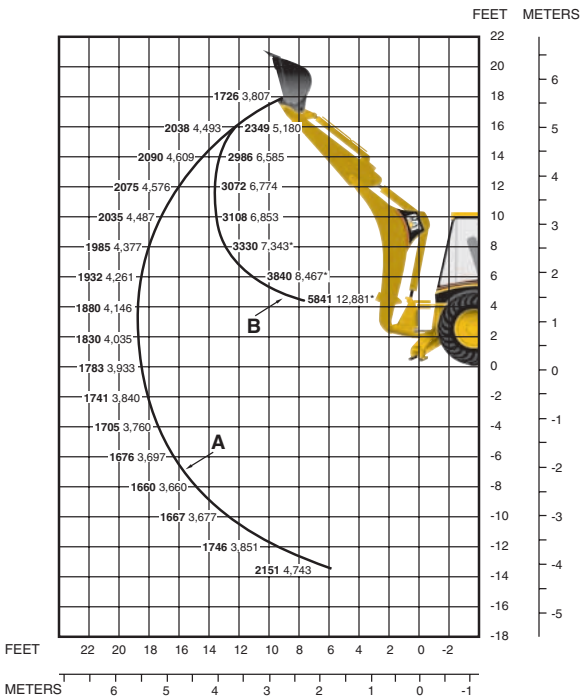
Cat 446D Standard Stick

KEY

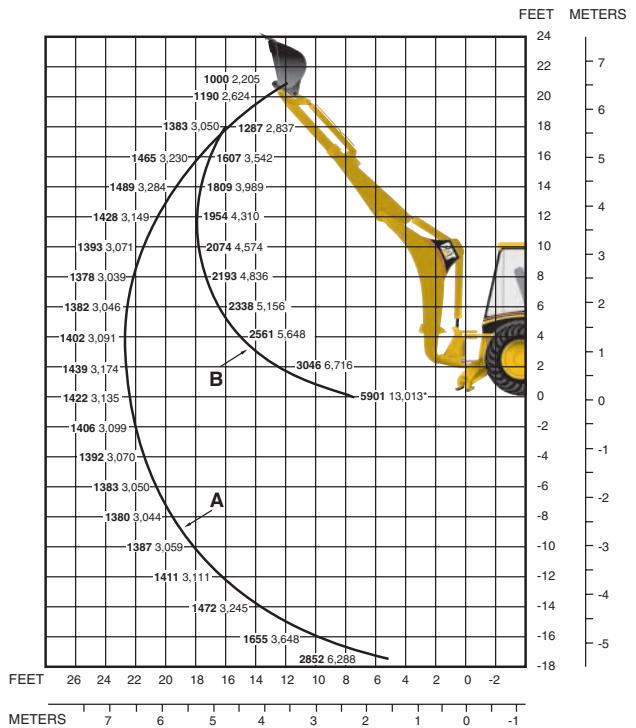
- A — Boom lift kg lb
- B — Stick lift kg lb



Cat 446D Extendible Stick — Retracted



Cat 446D Extendible Stick — Extended



Lift capacities are over-end values per SAE J31; machine equipped with 2WD, OROPS, 1.15 m³ (1.5 yd³) general-purpose loader bucket, 610 mm (24 in) heavy duty backhoe bucket and 454 kg (1,000 lb) counterweight. Extendible stick lift capacities include 682 kg (1,500 lb) counterweight.

*Indicates lift capacity is stability limited.

446D Backhoe Loader

Optional Equipment

With approximate change in operating weight (kg/lb).

Air Conditioning	47/103	Mechanical Backhoe Controls . .	5/12	Radio installation kit	3/7
Attachments, backhoe		Dyna-hoe pattern		Ride Control	25/55
Heavy Duty Buckets		Ford pattern		Rotating beacon	5/11
18 inch, 6.3 CFT	173/381	Cab Deluxe*	304/670	Fixed mounted	
24 inch, 9.5 CFT	208/459	Coolant, additional		Magnetic mounted	
30 inch, 12.4 CFT	227/501	protection (-50° C/-58° F)	0/0	Seat belt, 75 mm/3 in	0/0
36 inch, 15.5 CFT	254/561	Counterweight,		Starting aid, ether	1/2
Extreme Service Buckets		682 kg/1,500 lb	227/500	Stick, extendible	300/660
24 inch, 5.7 CFT	258/570	Cutting edge, bolt-on:		Teeth, loader bucket	45/99
30 inch, 7.3 CFT	286/630	Two piece	70/154	Tires:	
Attachments, front loader		Guard: stabilizer, rock	30/65	AWD:	
General-purpose buckets:		Hydraulic valves, backhoe:		15 - 19.5 12PR	91/200
1.15 m ³ /1.5 yd ³	609/1,342	Auxiliary valve	8/18	12.5 - 20 10PR	91/200
1.34 m ³ /1.75 yd ³	664/1,464	Hydraulic valves, loader:		Vandalism protection:	1/2
Multi-purpose bucket	890/1,962	3rd valve for GP, MP or		Gauge cover	
Axle, front:		Quick Coupler	27/60	Padlocks	
All-wheel drive with		Hydraulic lines:		Hood lock	
driveshaft guard	232/512	Auxiliary, 2-way lines			
Backhoe controls:		(to boom)	10/22		
Pilot hydraulic joystick controls		Universal, 1-way lines			
with pattern changer	27/60	(to stick)	57/126		

* Cab, Deluxe includes deluxe seat, auto-up stabilizers, voltmeter, and system monitors for plugged engine air filter, hydraulic filter and fuel/water separator.